

Butterfly Damper

Model: **BS**



Model: **BS**

Model BS damper with multiple blades is designed for air volume control for round ducts. Continuously adjustable from the face with a screwdriver for quick and easy volume control just by twisting until the desired setting is reached. The multiple blades provide more precise control. All-steel construction for durability.

Note: Not for use with flexible ducts.

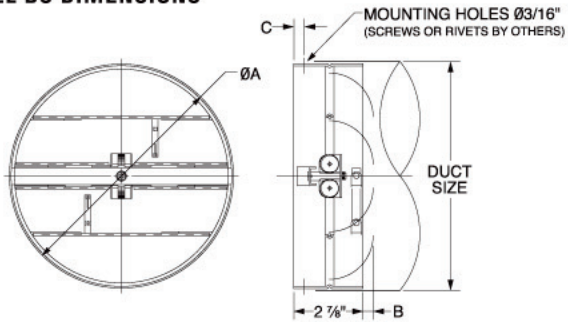
MATERIAL

● Heavy Gauge Steel

FINISH

● Black

MODEL BS DIMENSIONS



MODEL	DUCT SIZE	A	B	C
BS 6	6	5 ¹¹ / ₁₆	²² / ₃₂	²² / ₃₂
BS 8	8	7 ²¹ / ₃₂	³ / ₃₂	²² / ₃₂
BS 10	10	9 ⁵ / ₈	¹⁹ / ₃₂	²² / ₃₂
BS 12	12	11 ⁵ / ₈	1 ¹ / ₁₆	²² / ₃₂
BS 14	14	13 ⁵ / ₈	1 ⁹ / ₁₆	²² / ₃₂
BS 16	16	15 ⁹ / ₁₆	2 ¹ / ₃₂	²² / ₃₂
BS 20	20	19 ¹ / ₂	3 ¹ / ₃₂	²² / ₃₂
BS 24	24	23 ⁷ / ₁₆	4 ¹ / ₃₂	²² / ₃₂

Product information is subject to change without notice. All dimensions in inches.