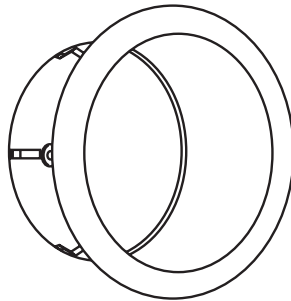


Model: NT



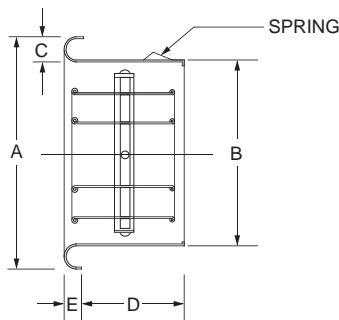
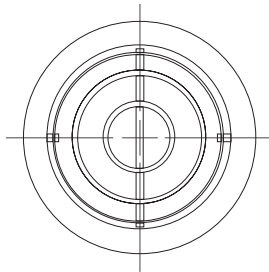
Model: NP

Seiho's TurboNozzle™ combines a stylish anodized aluminum finish with exceptionally high quality construction. The deep housing and inner concentric rings are designed specifically for those high volume long throw applications. The NT provides a distribution pattern more diffuse than our PK series, but not as much as the RHV/NR series. The aluminum and stainless steel design contribute to the NT's light weight so much so that it is easily installed and held in place by strong spring clips. No unsightly screws are necessary! Made in U.S.A.

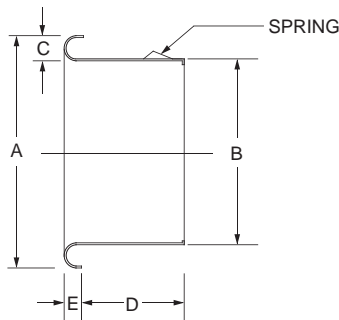
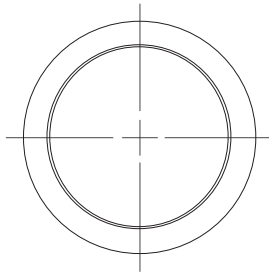
RECOMMENDED SPECIFICATION

Air distribution device shall be SEIHO Model NT TurboNozzle™. The nozzle shall be exceptionally high quality construction and consist of a one piece spun body and air control nozzles made from 0.040"-0.063" type 1100-O Aluminum Alloy with 304 stainless steel fasteners and 6061-T6 Aluminum cross tubes, and finished in Mil. Spec. Type II clear anodizing. The nozzle shall be manufactured, hand assembled and inspected entirely in the U.S.A. The nozzle shall consist of a spring mounting system, facilitating ease of installation in standard sized ducts. The nozzle shall be capable of directing the airstream a minimum of 22.5° from nozzle centerline to any direction with approximately 19-20° spread.

Model: NT



Model: NP



FEATURES

- Available for Standard Ducts
- Easy Installation by Spring Clips
- Anodized Finish for Rust Protection
- Long Air Throws
- High Capacity
- High Quality
- Adjustable Air Direction
- Aluminum Construction

MATERIAL

- Aluminum

FINISH

- Anodized
- Custom Colors Available

*Note: NT & NP are designed for wall mounting. Screws must be used for ceiling mounting.

MODEL		DUCT SIZE	A	B	C	D	E
NT 4	NP 4	4"	4 3/4	3 5/8	5/8	2	1/2
NT 6	NP 6	6"	7 3/16	5 17/32	7/8	3 11/32	1 1/16
NT 8	NP 8	8"	9 13/32	7 17/32	1	4 1/4	3/4
NT 10	NP 10	10"	11 7/8	9 1/2	1 1/4	5 1/16	1 5/16
NT 12	NP 12	12"	14 11/32	11 19/32	1 1/2	4 7/8	1 1/8
NT 14	NP 14	14"	16 5/8	13 7/16	1 21/32	4 3/4	1 7/32
NT 16	NP 16	16"	18 25/32	15 13/32	1 3/4	4 11/16	1 5/16
NT 20	NP 20	20"	23 7/16	19 9/16	2	6 1/2	1 1/2
NT 24	NP 24	24"	27 7/16	23 9/16	2	6 1/2	1 1/2