



Seiho International, Inc.

SUBMITTAL SHEET

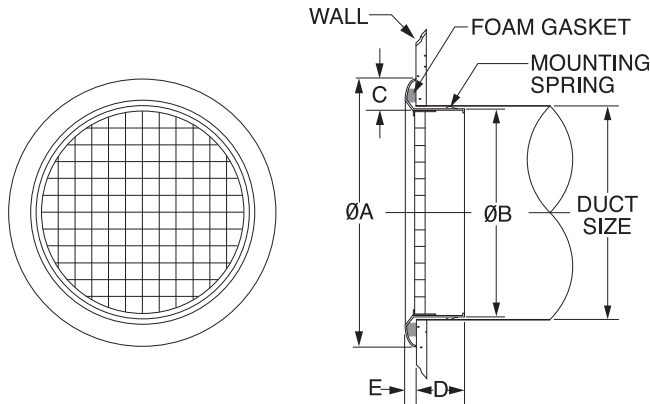
www.seiho.com

Model: EC

Round Lattice Grille

- Return/Fresh Air Intake
- High Free Area
- Optional Insect Screen (EC-N)

- Material: Aluminum
- Standard Finish: Clear Anodized



MODEL	DUCT SIZE	LATTICE	A	B	C	D	E
EC 8	8	1/2 x 1/2	10 1/16	7 9/16	1 1/4	3	15/32
EC 10	10	1/2 x 1/2	12 1/32	9 17/32	1 1/4	3	15/32
EC 12	12	1/2 x 1/2	14	11 1/2	1 1/4	3	15/32

Product information is subject to change without notice. All dimensions in inches.

JOB NAME: _____
 LOCATION: _____
 ARCHITECT: _____
 ENGINEER: _____
 CONTRACTOR: _____

SUBMITTED BY: _____

DATE: _____

Model EC
 Round Lattice Grille

Form No.380-22