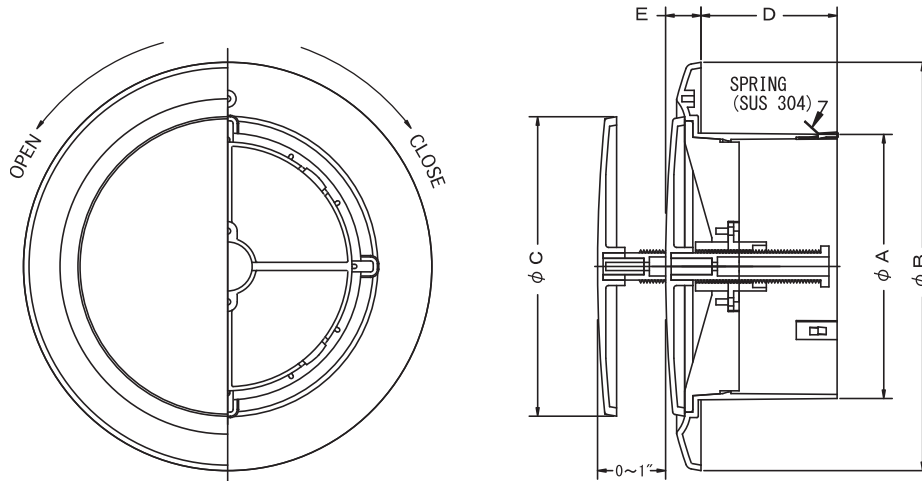


Model: JRA

Adjustable Plastic Grille

- Infinite Adjustable Core for Volume Control
- Positive Sealing Core-to-Body Mount
- Easy Installation by Spring Clips
- Omnidirectional, Low Diffusion Air Patterns
- Low Silhouette, Unobtrusive Profile

- Material: ABS Resin
- Standard Finish: Off White



MODEL	DUCT SIZE	A	B	C	D	E
JRA 4	100	96	150	136	25	13
JRA 6	150	145	205	158	25	13

Dimensions are in millimeters. Product Information is Subject to Change Without Notice

JOB NAME: _____
 LOCATION: _____
 ARCHITECT: _____
 ENGINEER: _____
 CONTRACTOR: _____

SUBMITTED BY: _____

DATE: _____

Model JRA
Adjustable Plastic Grille

Form No.400J-M