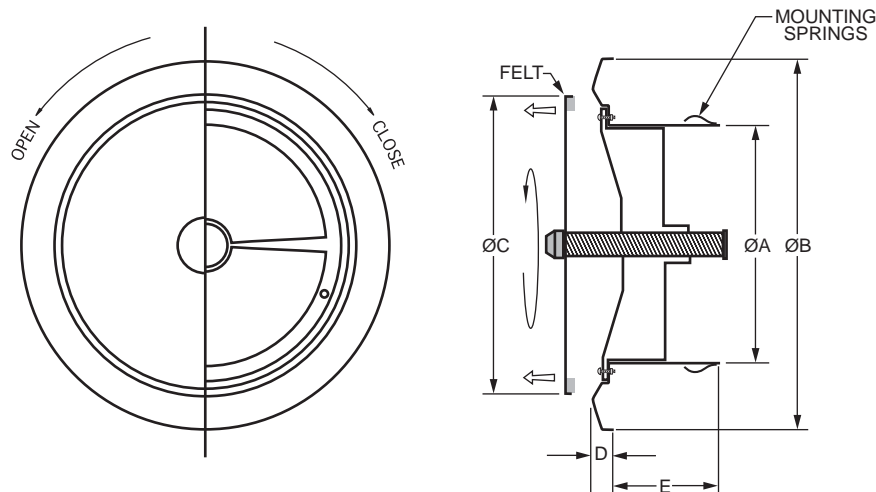


Model: JRC Adjustable Aluminum Grille

- Infinite Adjustable Core for Volume Control
- Positive Sealing Core-to-Body Mount
- Omnidirectional, Low Diffusion Air Patterns
- Low Silhouette, Unobtrusive Profile
- Anodized Finish for Rust Protection
- Easy Installation by Spring Clips

- Material: Aluminum
- Standard Finish: Anodized



MODEL	DUCT SIZE	A	B	C	D	E
JRC 4	4"	3 3/4	6 5/16	5 1/8	19/32	2 3/16
JRC 6	6"	5 1/16	8 3/4	7 5/16	19/32	2 3/8

Dimensions are in inches. Product Information is Subject to Change Without Notice

JOB NAME: _____
 LOCATION: _____
 ARCHITECT: _____
 ENGINEER: _____
 CONTRACTOR: _____

SUBMITTED BY: _____

DATE: _____

Model JRC
Adjustable Aluminum Grille

Form No.401J