



Seiho International, Inc.

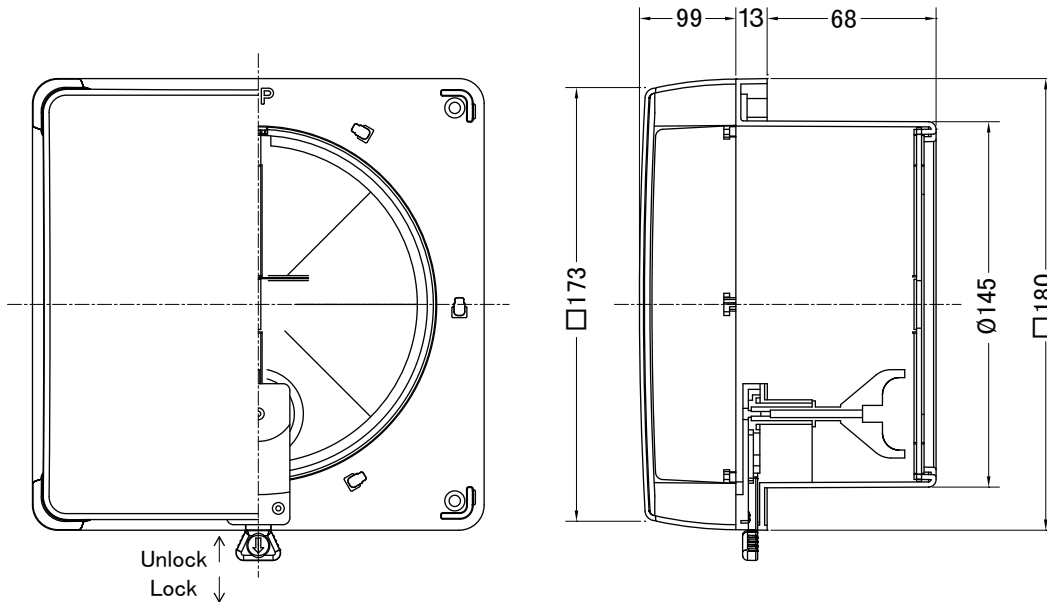
# SUBMITTAL SHEET

www.seiho.com

## Model: **JSF** (Metric) Pressure Relief Adjustable Plastic Register

- Eliminates Pressure Imbalances Automatically
- Allows Exhaust fan To Run More Efficiently
- Diminishes Internal Noise
- Lockable Damper When Ventilation is not necessary
- Available for Standard Duct Sizes
- Durable ABS Plastic
- Off-White Finish
- Removable Square face

- Material: ABS Resin
- Standard Finish: White



JOB NAME: \_\_\_\_\_  
 LOCATION: \_\_\_\_\_  
 ARCHITECT: \_\_\_\_\_  
 ENGINEER: \_\_\_\_\_  
 CONTRACTOR: \_\_\_\_\_

SUBMITTED BY: \_\_\_\_\_  
 \_\_\_\_\_

DATE: \_\_\_\_\_  
 \_\_\_\_\_

**Model JSF**  
**Plastic Register**  
 Form No.487-56-b