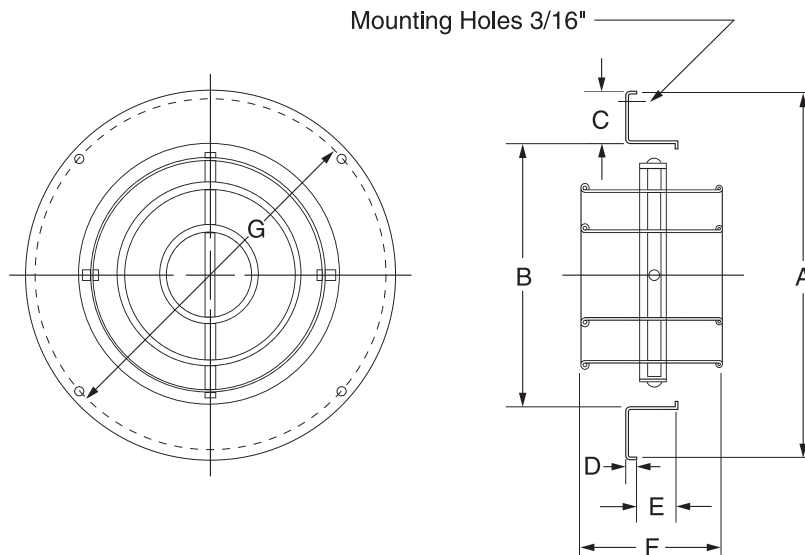


Model: NTX

Wall/Ceiling Mounted Aluminum TurboNozzle

- Heavy Gage Aluminum Body
- Adjustable Air Direction
- Mounting Screw Fastening System
- Anodized Finish for Rust Protection
- Individually Adjustable Nozzles

- Material: Aluminum
- Standard Finish: Anodized



MODEL	DUCT SIZE	A	B	C	D	E	F	G
NTX 4	150	203	102	51	10	41	51	178
NTX 6	200	254	152	51	10	41	82	229
NTX 8	250	305	203	51	10	41	108	279
NTX 10	300	356	254	51	10	41	134	330
NTX 12	350	406	305	51	10	41	133	381
NTX 14	400	457	356	51	10	41	133	432
NTX 16	450	508	406	76	10	41	133	483
NTX 20	550	610	508	102	10	67	183	584
NTX 24	660	711	610	102	10	67	183	686

Dimensions are in millimeters. Product Information is Subject to Change Without Notice

JOB NAME: _____
 LOCATION: _____
 ARCHITECT: _____
 ENGINEER: _____
 CONTRACTOR: _____

SUBMITTED BY: _____

DATE: _____

Model NTX

Wall/Ceiling Mounted Aluminum TurboNozzle

Form No.737N-M