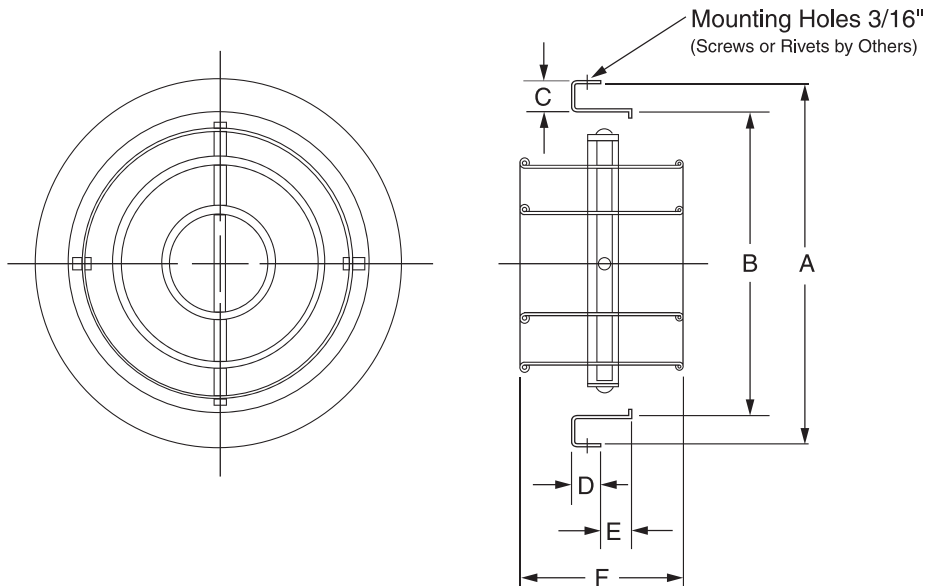


Model: NTX-R

Spiral Duct Mounted Aluminum TurboNozzle

- Mounts Over the End of Spiral Duct
- Heavy Gage Aluminum Body
- Adjustable Air Direction
- Mounting Screw Fastening System
- Anodized Finish for Rust Protection
- Individually Adjustable Nozzles

- Material: Aluminum
- Standard Finish: Anodized



MODEL	DUCT SIZE	A	B	C	D	E	F
NTX 4R	150	159	102	30	25	25	51
NTX 6R	200	210	152	30	25	25	82
NTX 8R	250	260	203	30	25	25	108
NTX 10R	300	311	254	30	25	25	134
NTX 12R	350	362	305	30	25	25	133
NTX 14R	400	413	356	30	25	25	133
NTX 16R	450	464	406	30	25	25	133
NTX 20R	610	616	508	111	38	38	183
NTX 24R	710	718	610	111	38	38	183

Dimensions are in millimeters. Product Information is Subject to Change Without Notice

JOB NAME: _____
 LOCATION: _____
 ARCHITECT: _____
 ENGINEER: _____
 CONTRACTOR: _____

SUBMITTED BY: _____

DATE: _____

Model NTX-R

Spiral Duct Mounted Aluminum TurboNozzle

Form No.735N-M