



Seiho International, Inc.

SUBMITTAL SHEET

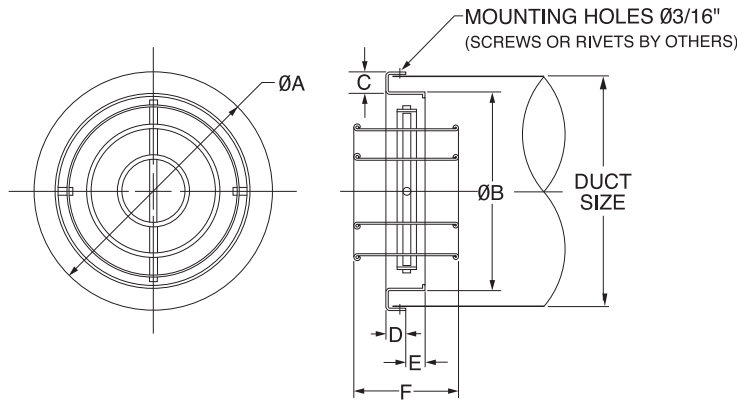
www.seiho.com

Model: **NTX-R** (Exposed Duct Mounted)

Aluminum TurboNozzle

- Exposed Duct Mounted
- Adjustable Air Direction
- Easy Installation

- Material: Aluminum
- Standard Finish: Clear Anodized



MODEL	DUCT SIZE	A	B	C	D	E	F
NTX 4R	6"	6 ¼	4	1 ⅜	1	1	2
NTX 6R	8"	8 ¼	6	1 ⅜	1	1	3 ⅞
NTX 8R	10"	10 ¼	8	1 ⅜	1	1	4 ¼
NTX 10R	12"	12 ¼	10	1 ⅜	1	1	5 ⅞
NTX 12R	14"	14 ¼	12	1 ⅜	1	1	5 ⅞
NTX 14R	16"	16 ¼	14	1 ⅜	1	1	5 ⅞
NTX 16R	18"	18 ¼	16	1 ⅜	1	1	5 ⅞
NTX 20R	24"	24 ¼	20	4 ⅜	1 ½	1 ½	7 ⅜
NTX 24R	28"	28 ¼	24	4 ⅜	1 ½	1 ½	7 ⅜

Product information is subject to change without notice. All dimensions in inches.

JOB NAME: _____
 LOCATION: _____
 ARCHITECT: _____
 ENGINEER: _____
 CONTRACTOR: _____

SUBMITTED BY: _____

DATE: _____

Model NTX-R
 TurboNozzle
 (Exposed Duct Mounted)

Form No.282-22