

Model: PK-K

SpotDiffuser with Condensation Control Air Guide

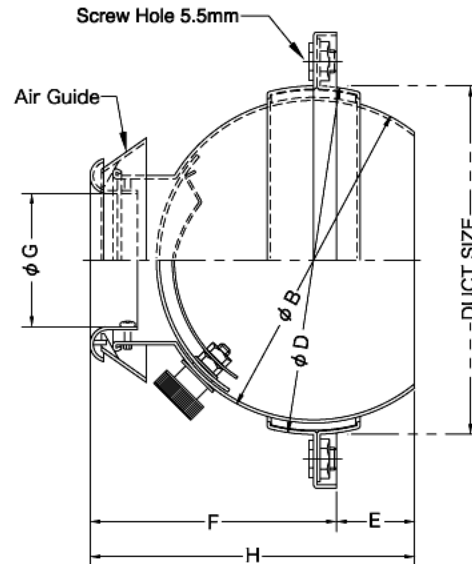
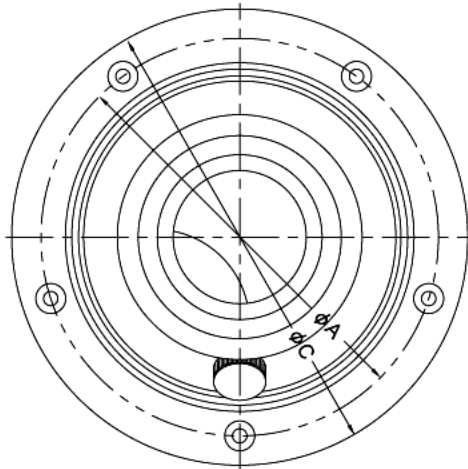
- Air curtain that created by the Air Guide covers cold surface of the diffuser and reduce condensation built-up
- Excellent for application in high humidity environments
- Made of low thermal conductance material (ABS Resin)

Material

- SpotDiffuser: Aluminum
- Air Guide: ABS Resin

Finish

- SpotDiffuser: Anodized (Custom Colors Available)
- Air Guide: Gray



MODEL	DUCT SIZE	PK SIZE	A	B	C	D	E	F	G	H
PK 8K	208	PK 8	230	200	250	204	44	136	76	180
PK 10K	280	PK 10	304	267	324	276	50	184	116	234
PK 12K	318	PK 12	342	305	363	314	63	216	130	279
PK 12WK	318	PK 12 WIDE	342	305	363	314	60	205	160	265
PK 16K	425	PK16	451	410	470	419	92	277	185	369
PK 20K	486	PK20	511	470	535	479	95	334	245	429

Dimensions are in metric. Product Information is Subject to Change Without Notice

JOB NAME: _____
 LOCATION: _____
 ARCHITECT: _____
 ENGINEER: _____
 CONTRACTOR: _____

SUBMITTED BY: _____

DATE: _____

Model PK-K

SpotDiffuser with Condensation Control Air Guide

Form No.756P-M(Rev. 111610)