

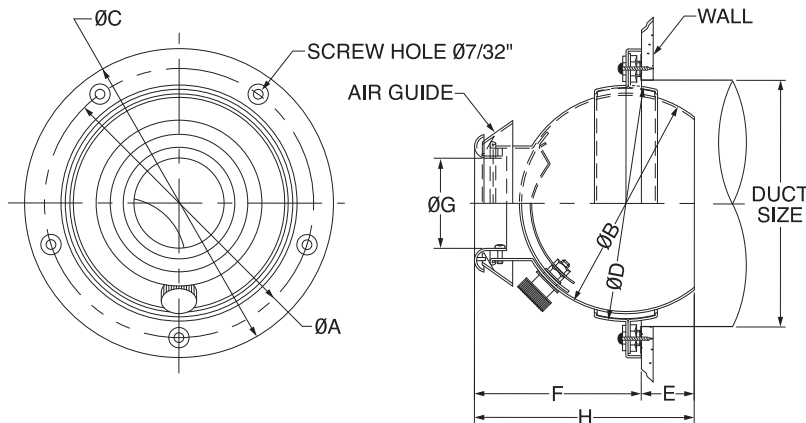
Model: PK-K

SpotDiffuser with Condensation Control Air Guide

- Air Guide leads air to diffuser's outer surface helping to reduce condensation
- Excellent for application in high humidity environments

● **Material:**
SpotDiffuser-Aluminum
Air Guide-ABS Resin

● **Standard Finish:**
SpotDiffuser-Clear Anodized
Air Guide-Gray



MODEL	DUCT SIZE	PK SIZE	A	B	C	D	E	F	G	H
PK 8K	8 ³ / ₁₆	PK 8	9 ¹ / ₈	7 ⁷ / ₈	9 ²⁷ / ₃₂	8 ¹ / ₃₂	1 ²³ / ₃₂	5 ³ / ₈	3	7 ¹ / ₈
PK 10K	11 ¹ / ₃₂	PK 10	11 ³¹ / ₃₂	10 ¹ / ₂	12 ³ / ₄	10 ⁷ / ₈	1 ³¹ / ₃₂	7 ¹ / ₄	4 ⁹ / ₁₆	9 ⁷ / ₃₂
PK 12K	12 ¹⁷ / ₃₂	PK 12	13 ¹⁵ / ₃₂	12	14 ⁹ / ₃₂	12 ³ / ₈	2 ¹⁵ / ₃₂	8 ¹ / ₂	5 ¹ / ₈	10 ³¹ / ₃₂
PK 12WK	12 ¹⁷ / ₃₂	PK 12 WIDE	13 ¹⁵ / ₃₂	12	14 ⁹ / ₃₂	12 ³ / ₈	2 ¹⁵ / ₃₂	8 ¹ / ₁₆	6 ⁹ / ₃₂	10 ⁷ / ₁₆
PK 16K	16 ²³ / ₃₂	PK 16	17 ³ / ₄	16 ⁵ / ₃₂	18 ¹ / ₂	16 ¹ / ₂	3 ⁵ / ₈	10 ⁷ / ₈	7 ¹ / ₄	14 ¹ / ₂
PK 20K	19 ¹ / ₈	PK20	20 ¹ / ₈	18 ¹ / ₂	21 ¹ / ₁₆	18 ²⁷ / ₃₂	3 ³ / ₄	13 ⁵ / ₃₂	9 ²¹ / ₃₂	16 ²⁹ / ₃₂

Product information is subject to change without notice. All dimensions in inches.

JOB NAME: _____
 LOCATION: _____
 ARCHITECT: _____
 ENGINEER: _____
 CONTRACTOR: _____

SUBMITTED BY: _____

DATE: _____

Model PK-K
 SpotDiffuser
 with Condensation Control Air Guide

Form No.220-22