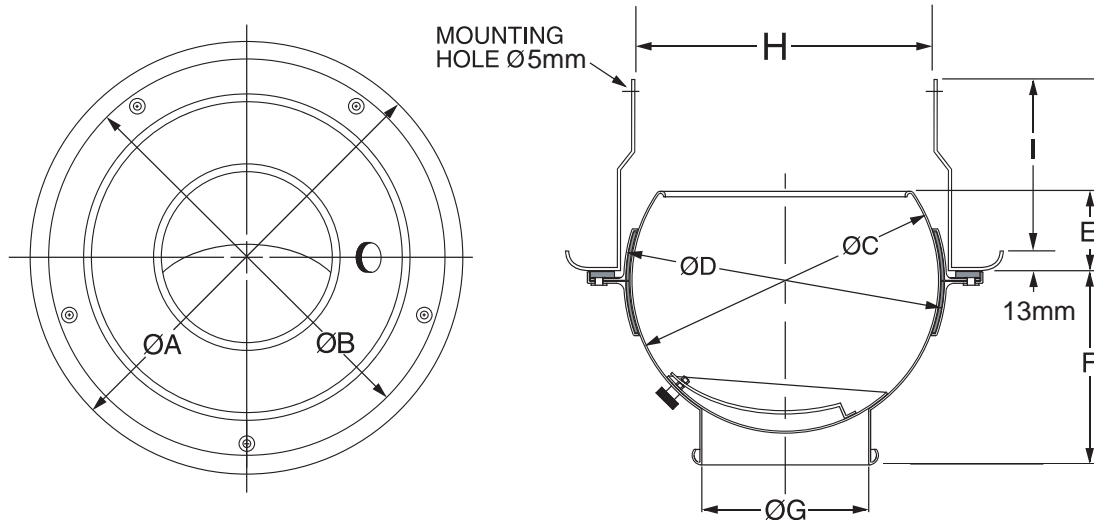


Model: PK-RA

Spiral Duct Mounted SpotDiffuser

- Mounts Over the End of Spiral Duct
 - Solid Aluminum Rotatable Body
 - Directional Air Stream Control
 - Double Felt Flange-Body Seal
 - Precision Air Flow Adjustment
- Material: Aluminum
 - Standard Finish: Anodized



MODEL	DUCT SIZE	PK SIZE	A	B	C	D	E	F	G	H	I
PK 6RA	150	PK 6	212	190	150	158	38	94	75	159	38
PK 7RA	180	PK 7	256	231	178	185	38	111	90	184	51
PK 8RA	200	PK 8	300	250	200	204	44	120	100	210	51
PK 10RA	250	PK 10	349	324	267	276	50	174	140	260	89
PK 12RA	300	PK 12	389	363	305	314	63	200	165	311	102
PK 16RA	400	PK 16	495	470	410	419	92	248	230	413	127
PK 18RA	500	PK 18	560	535	470	479	95	295	260	514	127
PK 20RA	500	PK 20	560	535	470	479	95	295	310	514	127

Dimensions are in millimeters. Product Information is Subject to Change Without Notice

JOB NAME: _____	SUBMITTED BY: _____	DATE: _____
LOCATION: _____		
ARCHITECT: _____		
ENGINEER: _____		
CONTRACTOR: _____		
		Model PK-RA Spiral Duct Mounted Aluminum SpotDiffuser
		Form No.715P-M