



Seiho International, Inc.

# SUBMITTAL SHEET

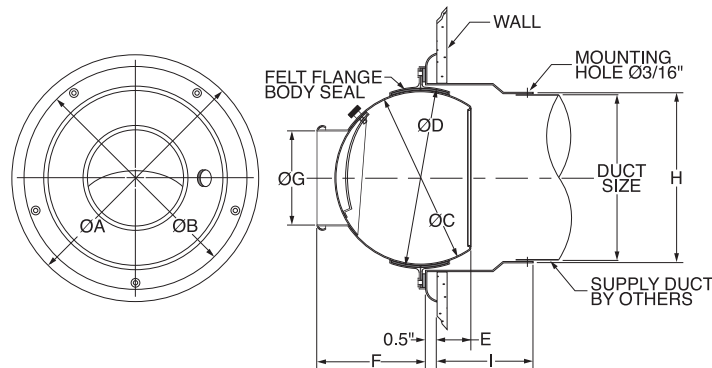
www.seiho.com

## Model: PK-RA (Wall/Spiral Duct Mounted)

SpotDiffuser with Round Duct Adapter

- Duct Size=PK-RA Size
- Exposed Duct/Surface Mounted (Duct Flanges not Required)

- Material: Aluminum
- Standard Finish: Clear Anodized



MODEL	DUCT SIZE	A	B	C	D	E	F	G	H	I
PK 6RA	6"	8 11/32	7 15/32	5 29/32	6 7/32	1 1/2	3 11/16	2 15/16	6 1/4	1 1/2
PK 7RA	7"	10 3/32	8 3/32	7	7 9/32	1 1/2	4 3/8	3 17/32	7 1/4	2
PK 8RA	8"	11 27/32	9 27/32	7 7/8	8 1/32	1 23/32	4 23/32	3 15/16	8 1/4	2
PK 10RA	10"	13 3/4	12 3/4	10 1/2	10 7/8	1 31/32	6 27/32	5 1/2	10 1/4	3 1/2
PK 12RA	12"	15 5/16	14 9/32	12	12 3/8	2 15/32	7 7/8	6 1/2	12 1/4	4
PK 16RA	16"	19 1/2	18 1/2	16 5/32	16 1/2	3 5/8	9 3/4	9 1/16	16 1/4	5
PK 18RA	20"	22 1/16	21 1/16	18 1/2	18 27/32	3 3/4	11 5/8	10 1/4	20 1/4	5
PK 20RA	20"	22 1/16	21 1/16	18 19/32	18 27/32	3 3/4	11 5/8	12 7/32	20 1/4	5

Product information is subject to change without notice. All dimensions in inches.

JOB NAME: \_\_\_\_\_  
 LOCATION: \_\_\_\_\_  
 ARCHITECT: \_\_\_\_\_  
 ENGINEER: \_\_\_\_\_  
 CONTRACTOR: \_\_\_\_\_

SUBMITTED BY: \_\_\_\_\_

DATE: \_\_\_\_\_

**Model PK-R**  
 SpotDiffuser with Round Duct Adapter  
 (Exposed Duct Mounted)

Form No.202-22