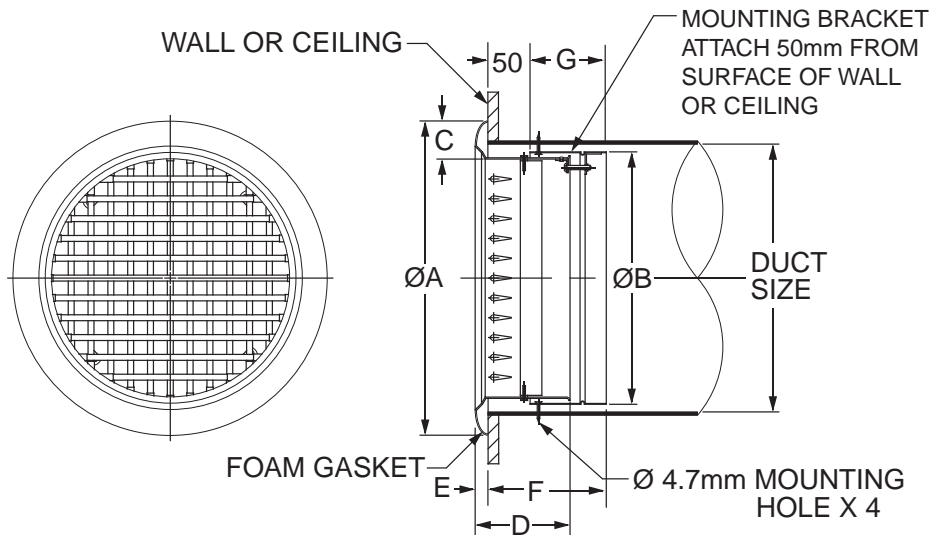


Model: RHV

Aluminum RoundRegister

- Heavy Gage Aluminum Body
- Double Deflection
- Adjustable Blades
- Spot or Normal Diffusion
- Extruded Aluminum Airfoil Blades
- Hidden Mounting Mechanism

- Material: Aluminum
- Standard Finish: White or Mill Aluminum



MODEL	DUCT SIZE	A	B	C	D	E	F	G
RHV 6	150	194	148	31	109	12	140	90
RHV 8	200	254	198	36	109	12	140	90
RHV 10	250	321	248	45	112	15	140	90
RHV 12	300	371	298	45	112	15	140	90
RHV 14	350	421	348	45	112	15	140	90
RHV 16	400	471	398	45	112	15	140	90
RHV 20	508	600	498	60	140	23	160	110
RHV 24	609	700	598	60	140	23	160	110

Dimensions are in millimeters. Product Information is Subject to Change Without Notice

JOB NAME: _____	SUBMITTED BY: _____	DATE: _____	Model RHV Aluminum RoundRegister
LOCATION: _____			
ARCHITECT: _____			
ENGINEER: _____			
CONTRACTOR: _____			