



Seiho International, Inc.

SUBMITTAL SHEET

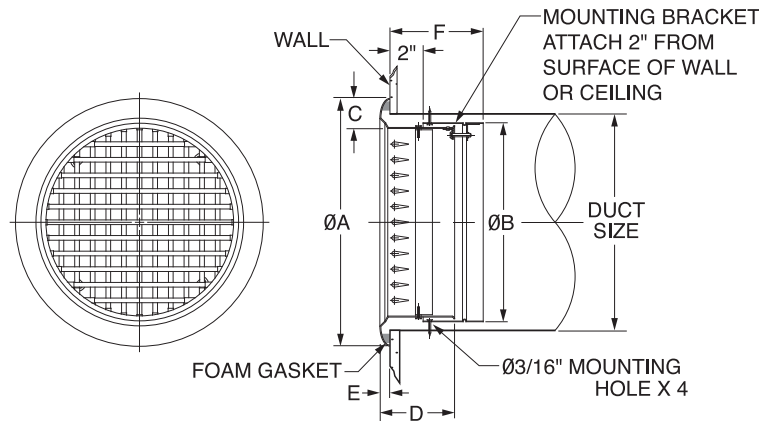
www.seiho.com

Model: RHV

Double Deflection Round Grille

- Double Deflection
- Concealed Mounting Mechanism
- Contemporary Design

- Material: Aluminum
- Standard Finish: Gross White or Mill Finish



MODEL	DUCT SIZE	A	B	C	D	E	F
RHV 6	6	7 5/8	5 13/16	1 7/32	4 9/32	15/32	5 1/2
RHV 8	8	10	7 25/32	1 13/32	4 9/32	15/32	5 1/2
RHV 10	10	12 5/8	9 3/4	1 25/32	4 13/32	19/32	5 1/2
RHV 12	12	14 19/32	11 23/32	1 25/32	4 13/32	19/32	5 1/2
RHV 14	14	16 9/16	13 11/16	1 25/32	4 13/32	19/32	5 1/2
RHV 16	16	18 17/32	15 21/32	1 25/32	4 13/32	19/32	5 1/2
RHV 20	20	23 5/8	19 23/32	2 3/8	4 31/32	29/32	6 11/16
RHV 24	24	27 9/16	23 11/16	2 3/8	4 31/32	29/32	6 11/16

Product information is subject to change without notice. All dimensions in inches.

JOB NAME: _____	SUBMITTED BY: _____	DATE: _____	Model RHV Double Deflection Round Grille
LOCATION: _____			
ARCHITECT: _____			Form No.340-22
ENGINEER: _____			
CONTRACTOR: _____			