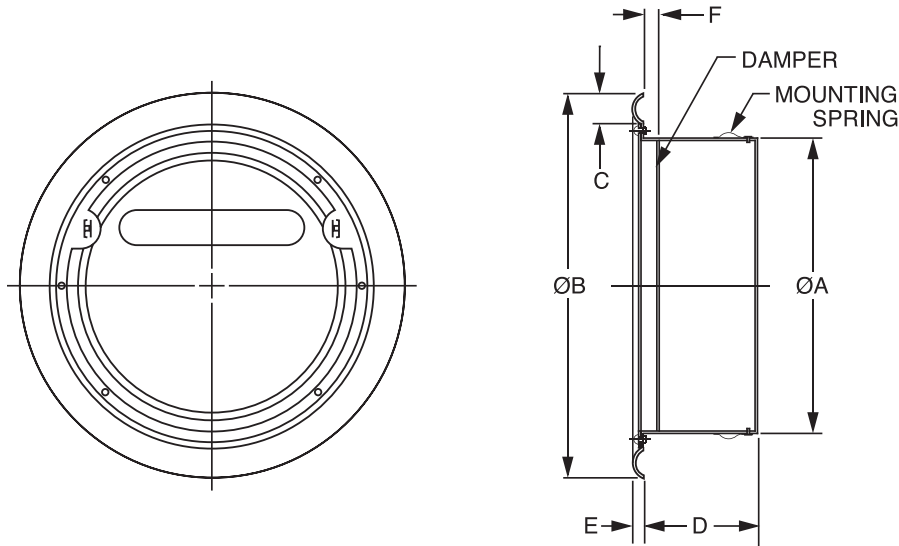


## Model: SB Aluminum Dryer Vent

- With Back-Draft Flapper Damper
- Large Free Area Reduces Clogging
- Aluminum Construction
- Anodized Finish for Corrosion Protection

- Material: Aluminum
- Standard Finish: Anodized



MODEL	DUCT SIZE	A	B	C	D	E	E	FREE AREA
SB 4	100	96	145	15	42	8	TBA	TBA
SB 6	150	147	203	20	70	8	19	0.13 sq.m

Dimensions are in millimeters. Product Information is Subject to Change Without Notice.

JOB NAME: \_\_\_\_\_  
 LOCATION: \_\_\_\_\_  
 ARCHITECT: \_\_\_\_\_  
 ENGINEER: \_\_\_\_\_  
 CONTRACTOR: \_\_\_\_\_

SUBMITTED BY: \_\_\_\_\_

DATE: \_\_\_\_\_

**Model SB**  
Aluminum Dryer Vent

Form No.300E-M