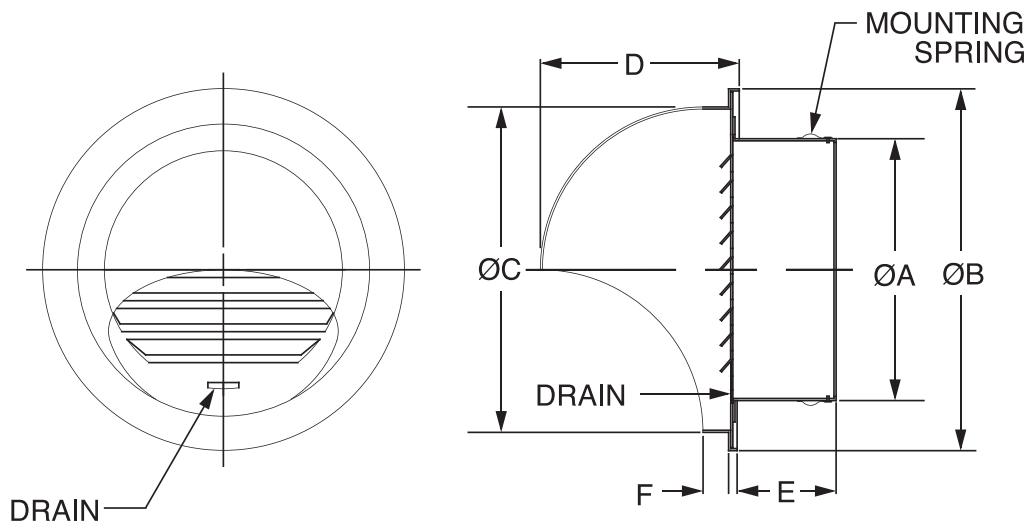


Model: SFX

Aluminum VentLouver

- Aluminum Construction
- Easy Installation by Spring Clips
- Anodized Finish for Rust Protection
- Insect Screen (Optional)

- Material: Aluminum
- Standard Finish: Anodized



MODEL	DUCT SIZE	A	B	C	D	E	F	FREE AREA
SFX 3	75	72	121	96	68	40	14	18.58 sq.cm
SFX 4	100	97	155	130	90	40	19	37.16 sq.cm
SFX 5	125	120	175	150	100	50	19	46.45 sq.cm
SFX 6	150	145	205	180	115	65	19	74.32 sq.cm
SFX 7	175	170	240	210	130	65	19	102.19 sq.cm
SFX 8	200	195	270	240	145	75	19	130.06 sq.cm

Dimensions are in millimeters. Product Information is Subject to Change Without Notice

JOB NAME: _____
 LOCATION: _____
 ARCHITECT: _____
 ENGINEER: _____
 CONTRACTOR: _____

SUBMITTED BY: _____

DATE: _____

Model SFX
 Aluminum VentLouver

Form No.354S-M