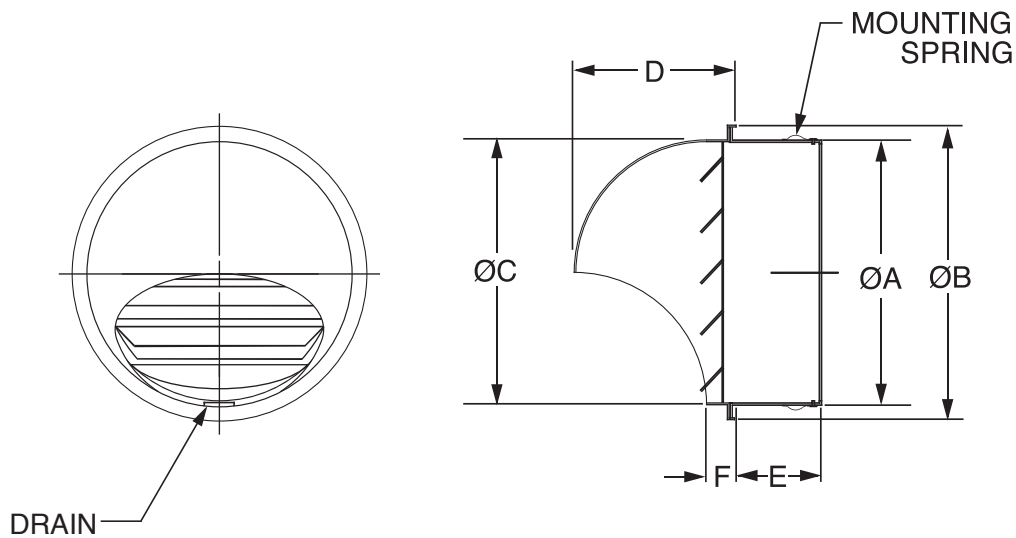


Model: SFZ

Aluminum Dryer VentCap

- Large Vents Eliminate Clogging
- Aluminum Construction
- Easy Installation by Spring Clips
- Anodized Finish for Rust Protection

- Material: Aluminum
- Standard Finish: Anodized



MODEL	DUCT SIZE	A	B	C	D	E	F	FREE AREA
SFZ 4	100	97	121	96	68	40	14	37.16 sq.cm
SFZ 6	150	145	175	150	100	50	19	121.00 sq.cm

Dimensions are in millimeters. Product Information is Subject to Change Without Notice

JOB NAME: _____
 LOCATION: _____
 ARCHITECT: _____
 ENGINEER: _____
 CONTRACTOR: _____

SUBMITTED BY: _____

DATE: _____

Model SFZ
 Aluminum Dryer VentCap

Form No.358S-M-a