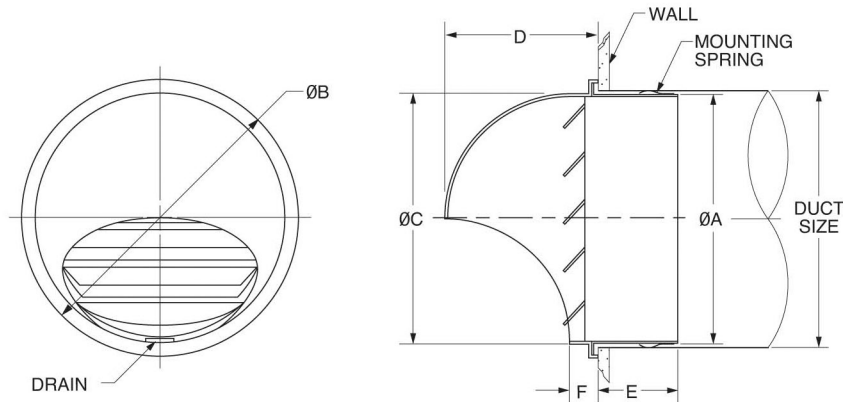


Model: SFZ

Dryer Vent

- Large Vents Reduce Clogging
- All Aluminum Construction

- Material: Aluminum
- Standard Finish: Clear Anodized



MODEL	DUCT SIZE	A	B	C	D	E	F	FREE AREA
SFZ 4	4	3 13/16	4 3/4	3 25/32	2 11/16	1 9/16	9/16	0.04
SFZ 6	6	5 23/32	6 29/32	5 29/32	3 15/16	2 9/16	3/4	0.11

Product information is subject to change without notice. All dimensions in inches.

JOB NAME: _____
 LOCATION: _____
 ARCHITECT: _____
 ENGINEER: _____
 CONTRACTOR: _____

SUBMITTED BY: _____

DATE: _____

Model SFZ
 Dryer Vent

Form No.430-22