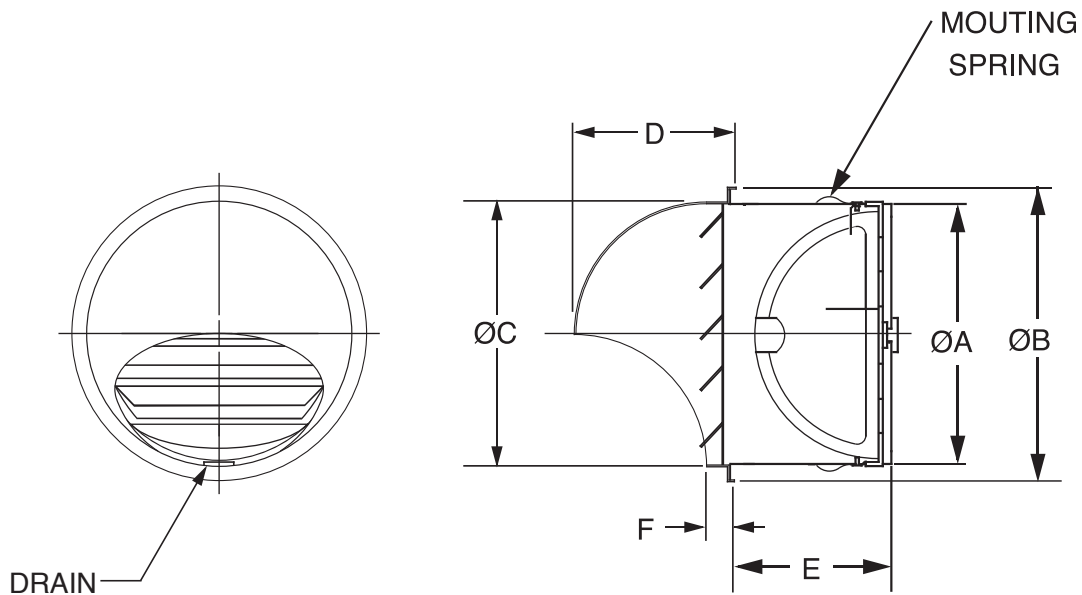


Model: SFZC

Aluminum Dryer VentCap

- Integrated Backdraft Damper
- Large Vents Eliminate Clogging
- Aluminum Construction
- Easy Installation by Spring Clips
- Anodized Finish for Rust Protection

- Material: Aluminum
- Standard Finish: Anodized



MODEL	DUCT SIZE	A	B	C	D	E	F	FREE AREA
SFZ 4C	100	97	121	96	68	55	14	37.16 sq.cm
SFZ 6C	150	145	175	150	100	95	19	121.00 sq.cm

Dimensions are in millimeters. Product Information is Subject to Change Without Notice

JOB NAME: _____
 LOCATION: _____
 ARCHITECT: _____
 ENGINEER: _____
 CONTRACTOR: _____

SUBMITTED BY: _____

DATE: _____

Model SFZC
 Aluminum Dryer VentCap

Form No.357S-M-a