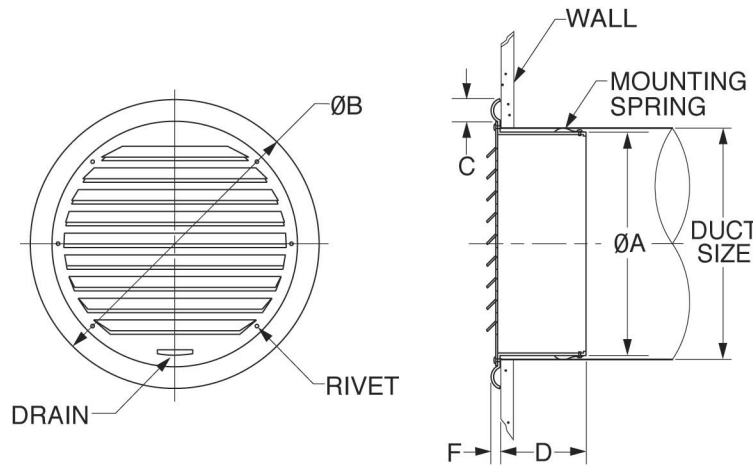


Model: SX-S

Stainless Steel Vent Cap

- Fresh Air Intake/Exhaust Outlet
- For Interior and Exterior Location
- Optional Insect Screen (SX-SN)

- **Material: Stainless Steel**
- **Standard Finish: Polished**



MODEL	DUCT SIZE	A	B	C	D	F	FREE AREA
SX 4S	100	97	145	15	42	7	37.16 sq.cm
SX 6S	150	145	203	20	65	7	74.32 sq.cm

Dimensions are in millimeters. Product Information is Subject to Change Without Notice

JOB NAME: _____
 LOCATION: _____
 ARCHITECT: _____
 ENGINEER: _____
 CONTRACTOR: _____

SUBMITTED BY: _____

DATE: _____

Model SX-S
 Stainless Steel Vent Cap

Form No.460-22-M