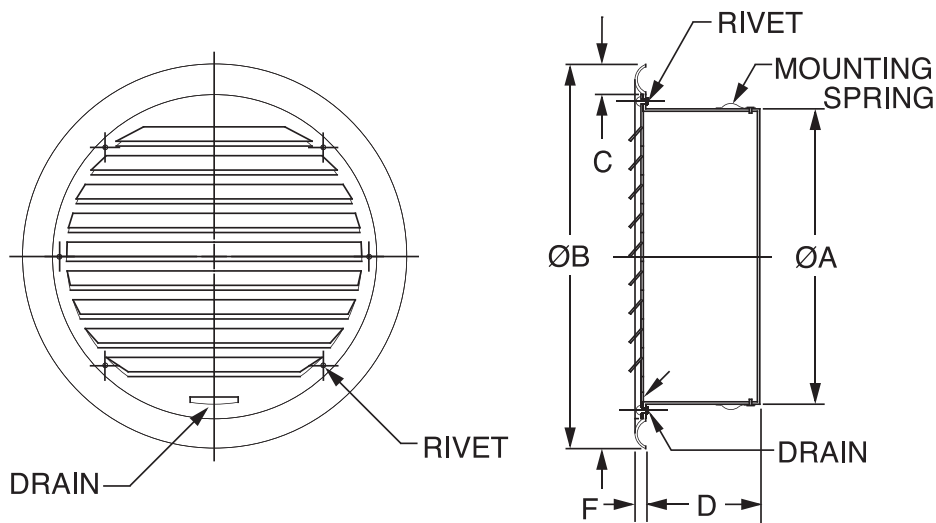


Model: SX

Aluminum VentLouver

- Aluminum Construction
- Easy Installation by Spring Clips
- Anodized Finish for Rust Protection
- Insect Screen (Optional)

- Material: Aluminum
- Standard Finish: Anodized



MODEL	DUCT SIZE	A	B	C	D	F	FREE AREA
SX 3	75	74	122	15	35	7	18.58 sq.cm
SX 4	100	97	145	15	42	7	37.16 sq.cm
SX 5	125	120	169	15	45	7	46.45 sq.cm
SX 6	150	145	203	20	65	7	74.32 sq.cm
SX 7	175	170	228	20	65	7	102.19 sq.cm
SX 8	200	195	254	20	75	7	130.06 sq.cm

Dimensions are in millimeters. Product Information is Subject to Change Without Notice

JOB NAME: _____
 LOCATION: _____
 ARCHITECT: _____
 ENGINEER: _____
 CONTRACTOR: _____

SUBMITTED BY: _____

DATE: _____

Model SX
 Aluminum VentLouver

Form No.359S-M