



Model: **NT-P**

The popular NT TurboNozzle is available in a panel mounted design. Select from one, two, three, or four NT's per panel. Perfect for retro-fitting an existing air grilles, or for new construction. For wall or ceiling mounting. Construction consists of stainless steel and heavy gauge aluminum. Finishes are white or clear anodized nozzle with brushed panel. Custom size panels are available. Made in U.S.A.



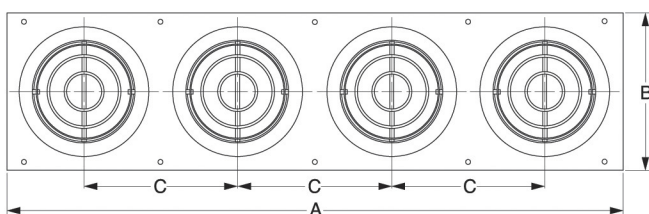
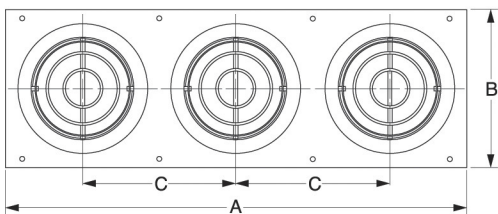
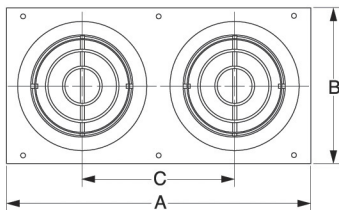
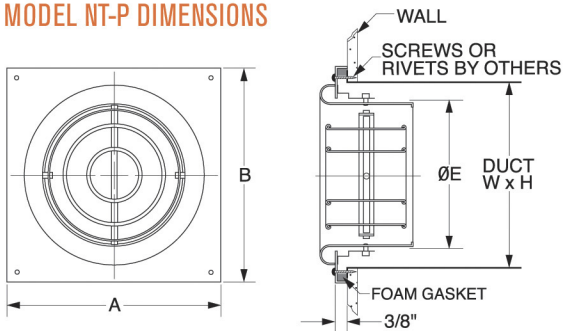
MATERIAL

- TurboNozzle - Aluminum
- Plate - Stainless Steel (304)

FINISH

- TurboNozzle - Clear Anodized or White
- Plate - Brushed or White
- Custom Colors Available

MODEL NT-P DIMENSIONS



MODEL	DUCT SIZE		A	B	E
	SQUARE W x H	ROUND (Ø) INCHES			
NT 4P	6 x 6	6	7 ½	7 ½	4
NT 6P	8 x 8	8	9 ½	9 ½	6
NT 8P	10 x 10	10	12	12	8
NT 10P	12 x 12	12	14	14	10
NT 12P	14 x 14	14	17	17	12
NT 14P	16 x 16	16	19	19	14
NT 16P	18 x 18	18	21	21	16

Product information is subject to change without notice. All dimensions in inches.

MODEL	DUCT SIZE W x H	NT SIZE x QTY.	A	B	C
NT 4-2P	13 ½ x 6	NT 4 x 2	15	7 ½	7 ½
NT 4-3P	21 x 6	NT 4 x 3	22 ½	7 ½	7 ½
NT 4-4P	28 ½ x 6	NT 4 x 4	30	7 ½	7 ½
NT 6-2P	17 ½ x 8	NT 6 x 2	19	9 ½	9 ½
NT 6-3P	27 x 8	NT 6 x 3	28 ½	9 ½	9 ½
NT 6-4P	36 ½ x 8	NT 6 x 4	38	9 ½	9 ½
NT 8-2P	22 x 10	NT 8 x 2	24	12	12
NT 8-3P	34 x 10	NT 8 x 3	36	12	12
NT 8-4P	46 x 10	NT 8 x 4	48	12	12
NT 10-2P	26 x 12	NT 10 x 2	28	14	14
NT 10-3P	40 x 12	NT 10 x 3	42	14	14
NT 10-4P	54 x 12	NT 10 x 4	56	14	14
NT 12-2P	31 x 14	NT 12 x 2	34	17	17
NT 12-3P	48 x 14	NT 12 x 3	51	17	17
NT 12-4P	65 x 14	NT 12 x 4	68	17	17
NT 14-2P	35 x 16	NT 14 x 2	38	19	19
NT 14-3P	54 x 16	NT 14 x 3	57	19	19
NT 14-4P	73 x 16	NT 14 x 4	76	19	19
NT 16-2P	39 x 18	NT 16 x 2	42	21	21
NT 16-3P	60 x 18	NT 16 x 3	63	21	21
NT 16-4P	81 x 18	NT 16 x 4	84	21	21

Product information is subject to change without notice. All dimensions in inches.