



Model: **PKP**

MATERIAL

- SpotDiffuser - Aluminum
- SpotPac Plate - Stainless Steel (304)

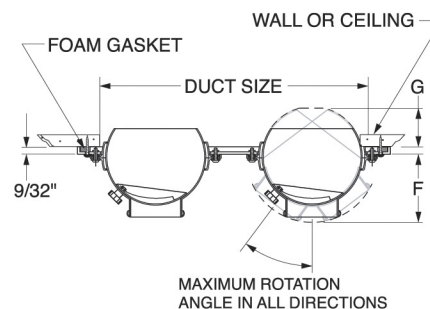
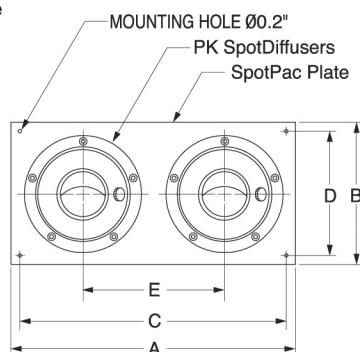
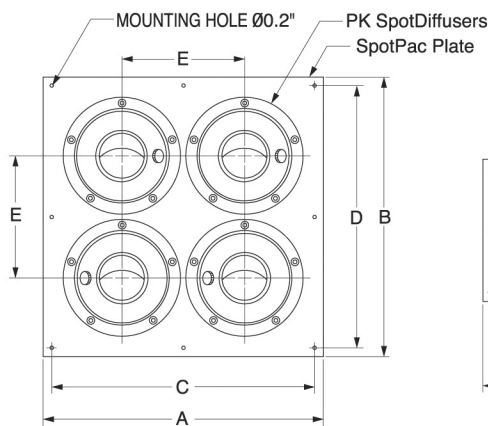
FINISH

- SpotDiffuser - Clear Anodized
- SpotPac Plate - Brushed
- Custom Colors Available

FEATURES

- Independently adjustable
- Air condition up to four locations with one air distribution location
- Space saving
- Easy installation
- Uses standard ducts
- Custom size can replace existing grilles and registers with no modifications

MODEL PKP DIMENSIONS



MODEL	DUCT SIZE	PK SIZE x QTY.	A	B	C	D	E	F	G	MAX ROTATION ANGLE
PKP 32-104	10 x 4	PK 3 x 2	12	6	11	5	6	2 1/4	1 7/8	33°
PKP 42-126	12 x 6	PK 4 x 2	14	8	13	7	7	2 29/32	1 7/16	41°
PKP 52-146	14 x 6	PK 5 x 2	16	8	15	7	8	3 17/32	2 1/32	44°
PKP 62-168	16 x 8	PK 6 x 2	18	10	17	9	9	4 1/32	2 7/16	43°
PKP 72-189	18 x 9	PK 7 x 2	20	11	19	10	9 11/32	3 19/32	2 1/16	43°
PKP 82-2010	20 x 10	PK 8 x 2	22	12	21	11	10	3 19/32	2 1/16	33°
PKP 34-1010	10 x 10	PK 3 x 4	12	12	11	11	5	2 1/4	1 7/8	33°
PKP 44-1212	12 x 12	PK 4 x 4	14	14	13	13	6	2 29/32	1 7/16	41°
PKP 54-1414	14 x 14	PK 5 x 4	16	16	15	15	7	3 17/32	2 1/32	44°
PKP 64-1616	16 x 16	PK 6 x 4	18	18	17	17	8	4 1/32	2 7/16	43°
PKP 74-1818	18 x 18	PK 7 x 4	20	20	19	19	9 11/32	3 19/32	2 1/16	43°
PKP 84-2020	20 x 20	PK 8 x 4	22	22	21	21	10	3 19/32	2 1/16	33°

Product information is subject to change without notice. All dimensions in inches.

