



Seiho International, Inc.

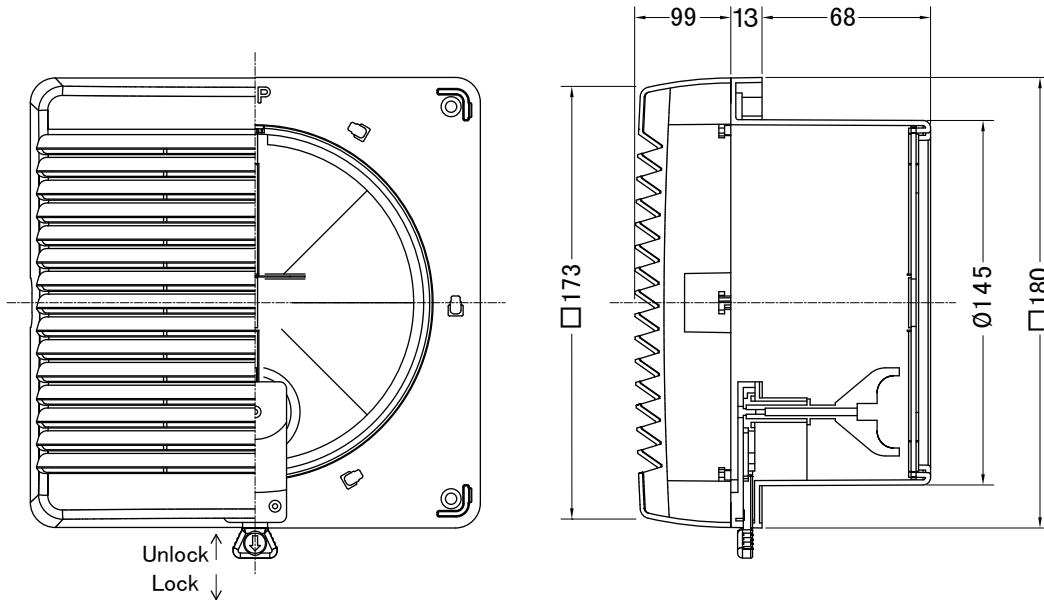
SUBMITTAL SHEET

www.seiho.com

Model: **JSG** (Metric) Pressure Relief Adjustable Plastic Register

- Eliminates Pressure Imbalances Automatically
- Allows Exhaust fan To Run More Efficiently
- Diminishes Internal Noise
- Lockable Damper When Ventilation is not necessary
- Available for Standard Duct Sizes
- Durable ABS Plastic
- Off-White Finish
- Removable Square face

- Material: ABS Resin
- Standard Finish: White



JOB NAME: _____
 LOCATION: _____
 ARCHITECT: _____
 ENGINEER: _____
 CONTRACTOR: _____

SUBMITTED BY: _____

DATE: _____

Model JSG
Plastic Register

Form No.487-55-b