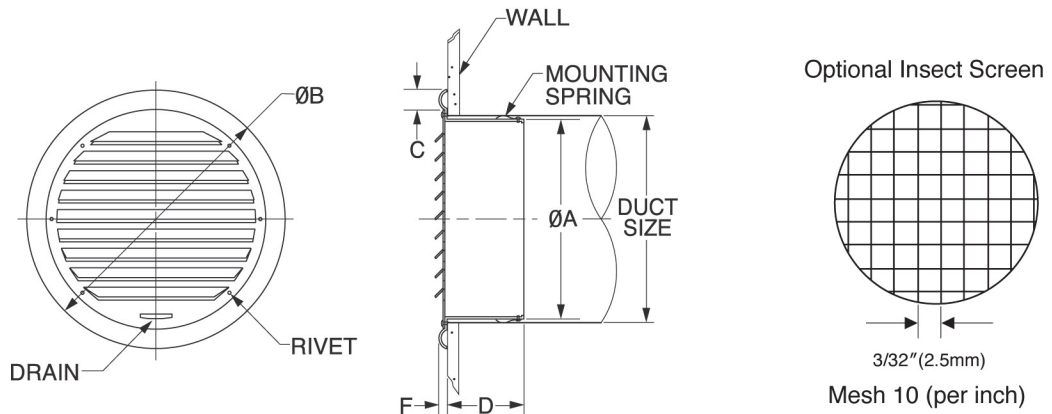


Model: SX

Aluminum Vent Cap

- Fresh Air Intake/Exhaust Outlet
- For Interior and Exterior Location
- Optional Insect Screen (SX-N)

- Material: Aluminum
- Standard Finish: Clear Anodized



MODEL	DUCT SIZE	A	B	C	D	F	FREE AREA
SX 3	3	2 29/32	4 13/16	19/32	1 3/8	9/32	0.02 sq. ft.
SX 4	4	3 13/16	5 23/32	19/32	1 21/32	9/32	0.04 sq. ft.
SX 5	5	4 3/4	6 21/32	19/32	1 25/32	9/32	0.05 sq. ft.
SX 6	6	5 23/32	8	25/32	2 3/4	9/32	0.08 sq. ft.
SX 7	7	6 11/16	8 31/32	25/32	2 3/4	9/32	0.11 sq. ft.
SX 8	8	7 11/16	10	25/32	2 31/32	9/32	0.14 sq. ft.

Product information is subject to change without notice. All dimensions in inches.

JOB NAME: _____
 LOCATION: _____
 ARCHITECT: _____
 ENGINEER: _____
 CONTRACTOR: _____

SUBMITTED BY: _____

DATE: _____

Model SX
 Aluminum Vent Cap

Form No.400-22S