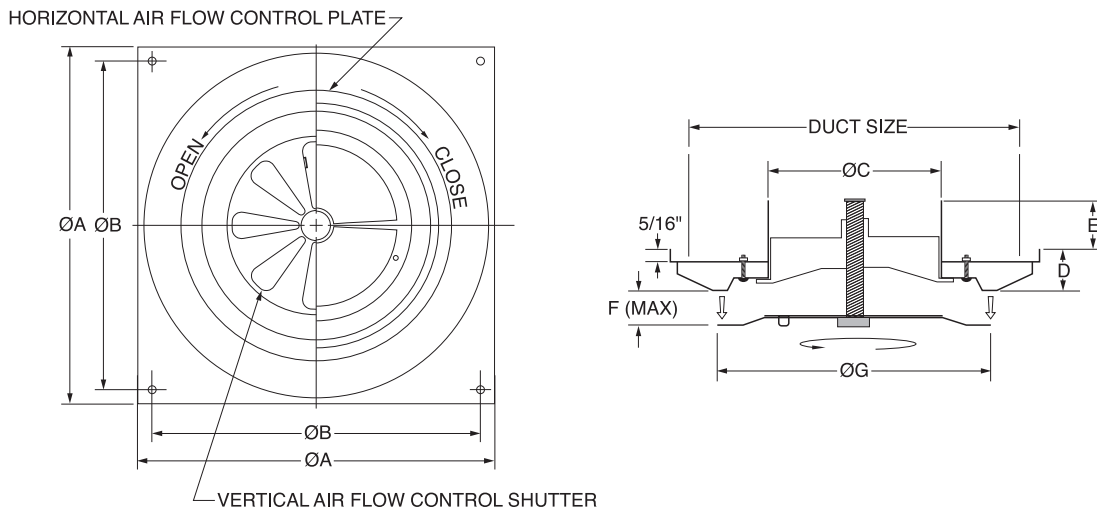


Model: TX-P

Residential Ceiling MINI Diffuser Panel for Horizontal and Vertical Air Flow

- Vertical & Horizontal Throw
- Easy Operation
- Adjustable Volume Control

- Material: Aluminum
- Standard Finish: White painted or Anodized



MODEL	DUCT SIZE		A	B	C	D	E	F	G
	SQUARE W x H	ROUND (Ø) INCHES							
TX 4P	6x6	4	8	7	3 3/4	1 5/16	1 17/32	1 5/8	6 3/16
TX 6P	10x10	6	12	11	5 27/32	1 3/16	1 19/32	1 5/8	8 31/32
TX 8P	12x12	8	14	13	7 11/16	1 3/16	1 1/4	1 7/8	11 1/4

Product information is subject to change without notice. All dimensions in inches.

JOB NAME: _____
 LOCATION: _____
 ARCHITECT: _____
 ENGINEER: _____
 CONTRACTOR: _____

SUBMITTED BY: _____

DATE: _____

Model TX-P
 Residential Ceiling MINI Diffuser Panel
 for Horizontal and Vertical Air Flow

Form No.102-22