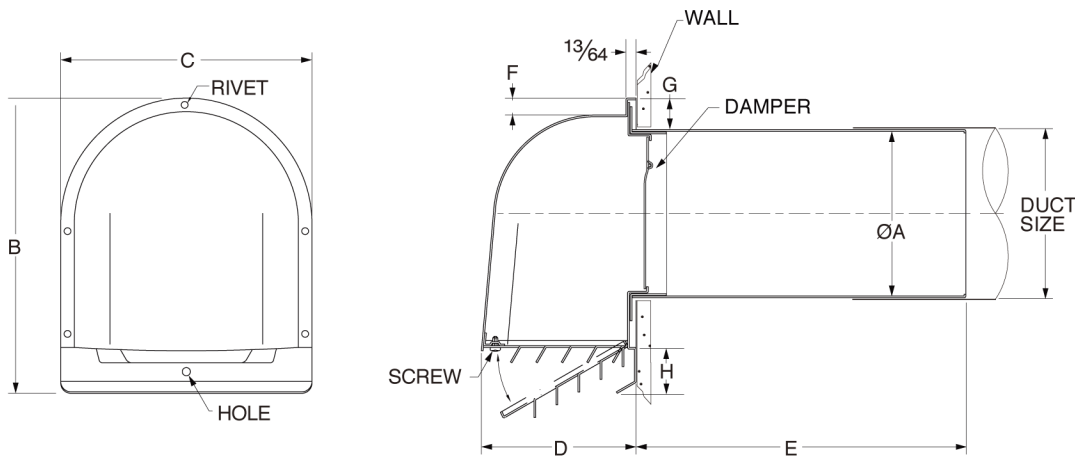


Aluminum Dryer Vent Cap Model:CFXF-P

- Standard with Backdraft Flapper Damper
- Large Vents Reduce Clogging
- With Heavy Duty 8 1/2" Long Aluminum Pipe
- Weather Resistant

- Material:Aluminum
- Standard Finish: Clear Anodized (Custom Colors Available)



MODEL	DUCT SIZE	A	B	C	D	E	F	G	H
CFXF 4P	4"	3 ¹³ / ₁₆	7 ³ / ₁₆	5 ⁷ / ₈	3 ⁷ / ₈	8 ¹ / ₂	7/16	25/32	1 ³ / ₈
CFXF 6P	6"	5 ²³ / ₃₂	9 ³ / ₈	7 ²⁹ / ₃₂	5 ⁷ / ₃₂	8 ¹ / ₂	15/32	25/32	1 ³ / ₈

Dimensions are in inches. Product information is subject to change without notice.

JOB NAME: _____
 LOCATION: _____
 ARCHITECT: _____
 ENGINEER: _____
 CONTRACTOR: _____

SUBMITTED BY: _____

DATE: _____

Model:CFXF-P
 Aluminum Dryer Vent Cap

Form No. 928-13